

Features

VMEbus Interface

- Standards supported:
 - Legacy protocols to protect existing VME investment
 - VME64 Extensions
 - 2eVME and 2eSST protocols to bring support for higher bandwidth
- Full VMEbus system controller functionality
- Interrupt and interrupt handling capability
- Flexible register set; programmable from both the PCI/X bus and VMEbus

Tsi148 VME-to-PCI/X bridge provides a 4x increase in usable bus bandwidth over existing solutions.

PCI/X Interface

- Fully compliant, programmable PCI or PCI-X bus interface
- 64-bit data path
- Multiple modes of bus operation
 - PCI-X operates from 50 to 133 MHz
 - PCI bus operates from 33 to 66 MHz
- 32-bit or 64-bit addressing and data in PCI and PCI-X modes

Other Features

- Two, programmable DMA controllers with Direct mode and Linked-List mode support
- IEEE 1149.1 Interface
- 456 PBGA package, 1.0 mm ball pitch, 27 mm x 27mm size

The Tsi148 Advantage

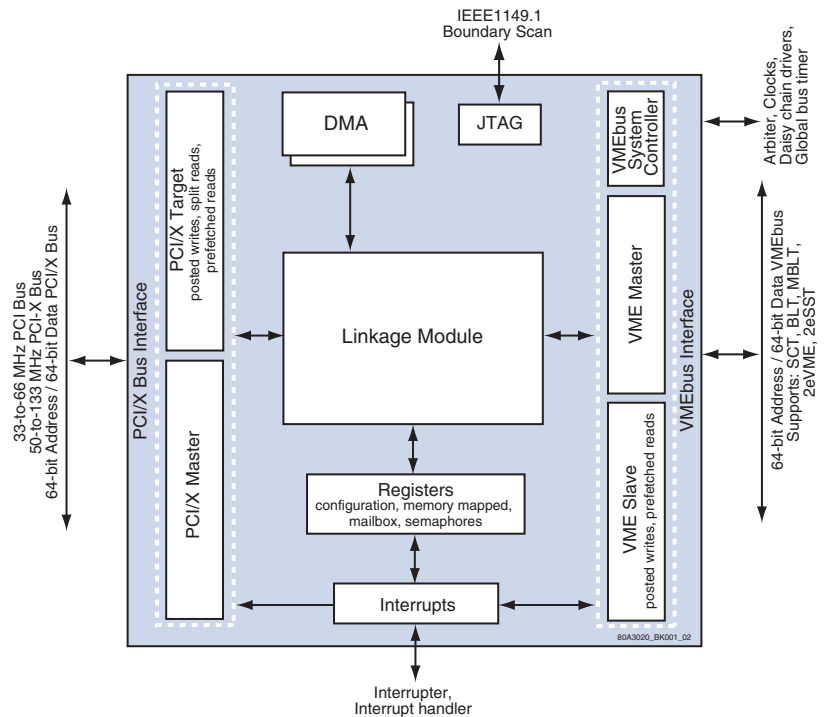
The Tundra Semiconductor Corporation (Tundra) Tsi148 device is the next generation component in our industry leading, high performance VMEbus system interconnect product family. Tsi148 is fully compliant with the 2eSST and VME64 Extension standards. This enables you to take advantage of the higher performance VME protocols, while preserving your existing investment in VME boards that implement legacy protocols.

Tsi148 increases a system's usable bus bandwidth because its local bus interface is designed for the next generation PCI/X processors and peripherals that support either a 66 MHz PCI bus or a 133 MHz PCI-X bus interface.

Tsi148 eases design constraints of VME Single Board Computers (SBCs) by requiring less board real estate and power than the previous generation of VME-to-PCI/X bridge components.

These capabilities make Tsi148 a key building block of the VME Renaissance and of next generation VME single board computers.

Figure 1: Tsi148 Block Diagram



Benefits

- Increased bandwidth
 - 4x increase in usable system bus bandwidth over current solutions
- Less power required than existing devices due to reduced voltages
 - 3.3V I/O supply
 - 1.8V Core supply
- Small device footprint
 - 40% less board space required than existing products
- Reliable customer support with experience supporting the VME community for the past decade.

Tundra Semiconductor is the world leader in VME interconnect technology.

Typical Applications

Key markets for Tsi148-based VME Single Board Computers:

- Telecommunications
- Industrial automation
- Medical
- Military
- Aerospace

Contact Information

Tundra Semiconductor Corporation
 603 March Road, Ottawa
 Ontario Canada, K2K 2M5
 (613) 592-0714 or 1-800-267-7231
 Fax: (613) 592-1320

Visit our website at www.tundra.com

VME Renaissance

The VME Renaissance is a term defined by Motorola™ that describes an intense period of intellectual activity and technology infusion focused on the VMEbus. The VME Renaissance is a period of innovation and performance improvement which maintains backwards compatibility to legacy VMEbus standards. This compatibility requirement protects existing customer investments.

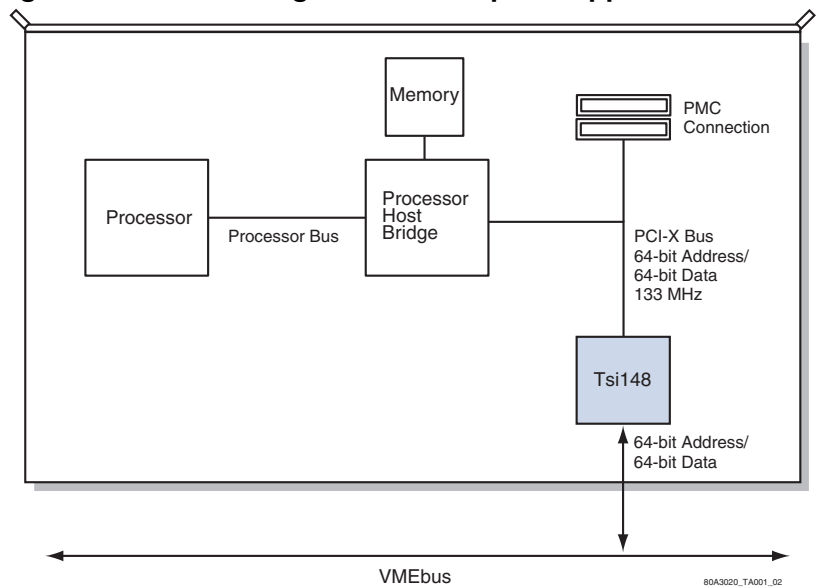
The VME Renaissance gives VME a faster parallel backplane interconnect, a switched serial interconnect on the backplane coincident with the traditional parallel interconnect, point-to-point mezzanines on the cards and many other significant innovations.

Typical Application - Single Board Computers

Tsi148 can be used on VME-based Single Board Computers (SBC) that employ PCI/X as their local bus, as shown in the accompanying diagram. These SBC cards support a variety of market segments, including: telecommunications, datacommunications, medical, industrial automation, and military equipment.

The Tsi148 high performance architecture seamlessly bridges the PCI-X and VME busses, supporting the design of the next generation single board computers.

Figure 2: Tsi148 In Single Board Computer Application



Ordering Information

When ordering the Tsi148, please refer to the device by its full part number..

Part Number	Frequency	Temperature	Package	Pin Count
Tsi148-133CL	133 MHz	Commercial	PBGA	456