

# 25 RCPT SP/FMS BRDLK ✓ ACTIVE

AMPLIMITE | AMPLIMITE HD-20

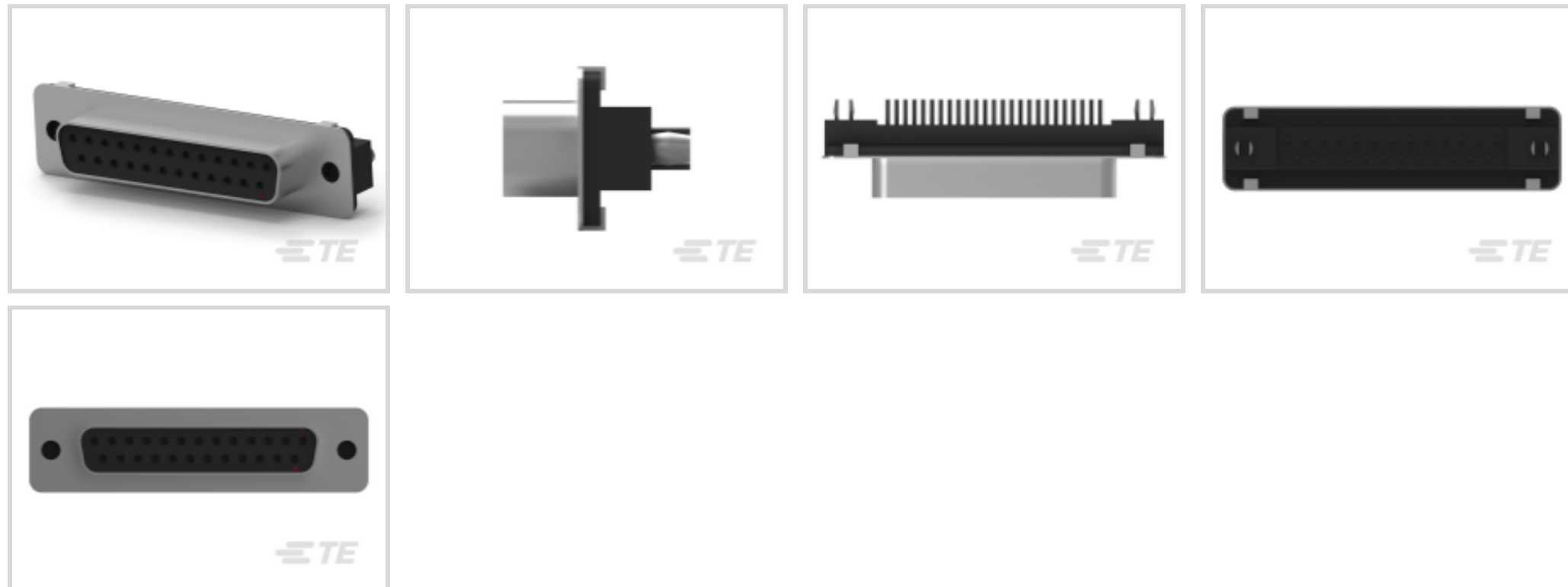
TE Part # 2-5747708-0

TE Internal #: 2-5747708-0

[View on TE.com >](#)



Connectors > D-Shaped Connectors > D-Sub Connectors > PCB D-Sub Connectors



Connector Style: **Receptacle**

Connector System: **Board-to-Board**

Number of Positions: **25**

Centerline (Pitch): **2.77 mm [ .109 in ]**

Number of Rows: **2**

## Features

### Product Type Features

Grounding Indents	Without
Grounded	No
Grounding Straps	Without
Shell Type	Front Metal Shell
Connector Style	Receptacle
Connector System	Board-to-Board
Row-to-Row Spacing	.112 in, 2.84 mm
Shell Size	3
Profile	Standard
Sealable	No
Connector & Contact Terminates To	Printed Circuit Board
Shielded	Yes
Product Type	Connector

### Configuration Features

Number of Positions	25
---------------------	----



Number of Rows	2
PCB Mount Orientation	Vertical
Preloaded	Yes

### Body Features

Plastic	No
Insert Material	Brass
Shell Plating Material	Tin
Shield Material	Steel
Shell Material	Carbon Steel
Post Size	.66 mm[.026 in]
Shield Plating Material	Tin

### Contact Features

PCB Termination Area Plating Finish	Bright
Contact Underplating Material	Copper
PCB Contact Termination Area Plating Material	Tin
Contact Base Material	Phosphor Bronze
Contact Shape	Round
Contact Current Rating (Max)	6 A
	30 $\mu$ m
Contact Mating Area Plating Material	Gold

### Termination Features

Grounding Clips	Without
Termination Post Length	3.18 mm[.125 in]

### Mechanical Attachment

Panel Mount Feature	Without
PCB Mounting Style	Through Hole
PCB Mount Retention	With
PCB Mount Retention Type	4-40 Retention Insert
Mating Connector Lock	Without
Connector Mounting Type	Board Mount
Boardlock Plating Material	Tin over Copper
Boardlock Material	Brass
Mounting Hole Diameter	3.07 mm[.121 in]



### Housing Features

Centerline (Pitch)	2.77 mm[.109 in]
Housing Material	Thermoplastic
Housing Color	Black

### Dimensions

PCB Thickness (Recommended)	1.57 mm[.062 in]
-----------------------------	------------------

### Usage Conditions

Operating Temperature Range	-55 – 105 °C[-67 – 221 °F]
-----------------------------	----------------------------

### Operation/Application

Circuit Application	Signal
---------------------	--------

### Industry Standards

Approved Standards	UL E28476
UL Flammability Rating	UL 94V-0

### Packaging Features

Packaging Method	Tube
Packaging Quantity	10

### Other

Comment	All receptacles are preloaded with size 20 DF posted socket contacts
---------	--

### Product Compliance

[For compliance documentation, visit the product page on TE.com>](#)

EU RoHS Directive 2011/65/EU	Compliant with Exemptions
EU ELV Directive 2000/53/EC	Compliant with Exemptions
China RoHS 2 Directive MIIT Order No 32, 2016	Restricted Materials Above Threshold
EU REACH Regulation (EC) No. 1907/2006	Current ECHA Candidate List: JAN 2019 (197) Candidate List Declared Against: JAN 2019 (197)
Halogen Content	Not Low Halogen - contains Br or Cl > 900 ppm.
Solder Process Capability	Wave solder capable to 265°C

Product Compliance Disclaimer

This information is provided based on reasonable inquiry of our suppliers and represents our current actual knowledge based on the information they provided. This information is subject to change. The part numbers that TE has identified as EU RoHS compliant have a maximum concentration of 0.1% by weight in homogenous materials for lead, hexavalent chromium, mercury, PBB, PBDE, DBP, BBP, DEHP, DIBP, and 0.01% for cadmium, or qualify for an exemption to these limits as defined in the Annexes of Directive 2011/65/EU (RoHS2). Finished electrical and electronic equipment products will be CE marked as required by Directive 2011/65/EU. Components may not be CE marked. Additionally, the part numbers that TE has identified as EU ELV compliant have a maximum concentration of 0.1% by weight in homogenous materials for lead, hexavalent chromium, and mercury, and 0.01% for cadmium, or qualify for an exemption to these limits as defined in the Annexes of Directive 2000/53/EC (ELV). Regarding the REACH Regulations, TE's information on SVHC in articles for this part number is still based on the European Chemical Agency (ECHA) 'Guidance on requirements for substances in articles' (Version: 2, April 2011), applying the 0.1% weight on weight concentration threshold at the finished product level. TE is aware of the European Court of Justice ruling of September 10th, 2015 also known as O5A (Once An Article Always An Article) stating that, in case of 'complex object', the threshold for a SVHC must be applied to both the product as a whole and simultaneously to each of the articles forming part of its composition. TE has evaluated this ruling based on the new ECHA "Guidance on requirements for substances in articles" (June 2017, version 4.0) and will be updating its statements accordingly.

## Compatible Parts



TE Part # 1-745496-9  
 PLUG ASSY, 25P, HDE, MS



TE Part # 1-747948-6  
 KIT, PLUG, 25P, HDE, SHLD  
 ENCLSRE



TE Part # 1-747948-5  
 25 SHLDG ENCL PLUG,  
 LEAD FREE



TE Part # 1-745496-7  
 25 HDE MS PLUG, 22-26,  
 LEAD FREE



TE Part # 1658613-2  
 25 POS HDF PLUG, MS,  
 LEAD FREE



TE Part # 2-745496-0  
 PLUG ASSY, 25P, HDE, MS



TE Part # 747547-8  
 KIT, PLUG, 25P, HDE, SHLD  
 HDWRE



TE Part # 1658608-2  
 25 POS HDF PLUG, MS,  
 LEAD FREE



TE Part # 747547-9  
 KIT, PLUG, 25P, HDE, SHLD  
 HDWRE

Also in the Series | **AMPLIMITE HD-20**



Board-to-Board Connector  
Contacts(1)

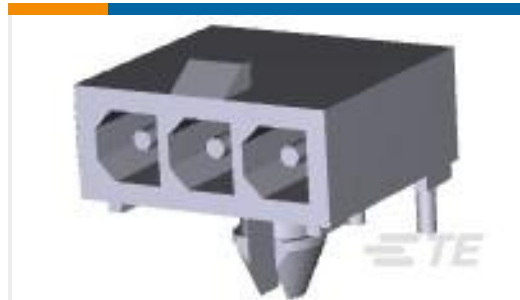


PCB D-Sub Connectors  
(353)

## Customers Also Bought



TE Part #2-5747704-0  
25 PLUG SP/FMS BRDLK



TE Part #1-770967-1  
03P MINI UMNL R/A HDR  
ASSY AU



TE Part #2-5747706-0  
09 RCPT SP/FMS BRDLK



TE Part #2-5747707-0  
15 RCPT SP/FMS BRDLK



TE Part #530153-2  
TDM SPRING SHUNT  
ASSY 2 POS



TE Part #350786-3  
02P UMNL HDR ASSY AU  
94VO



TE Part #5-104363-5  
06 MTE HDR SRST LATCH .  
100CL



TE Part #641968-1  
04P UMNL PIN HDR ASSY  
POL 94VO



TE Part #5-104362-3  
04 MTE HDR SRST LATCH  
W/HLDWN



TE Part #5-104362-4  
05 MTE HDR SRST LATCH  
W/HLDWN

## Documents

### Product Drawings

[25 RCPT SP/FMS BRDLK](#)

English

### CAD Files

[Customer View Model](#)

[ENG\\_CVM\\_2-5747708-0\\_A.2d\\_dxf.zip](#)

English

[Customer View Model](#)



[ENG\\_CVM\\_2-5747708-0\\_A.3d\\_igs.zip](#)

English

**Customer View Model**

[ENG\\_CVM\\_2-5747708-0\\_A.3d\\_stp.zip](#)

English

**3D PDF**

English

---

**Datasheets & Catalog Pages**

[AMPLIMITE Subminiature D Connectors - Straight Posted Connectors](#)

English

---

**Product Specifications**

[Application Specification](#)

English

---

**Product Environmental Compliance**

[TE Material Declaration](#)

English