

K5AT Lighted SMT Tact Switch

Features

- High bright LED's
- Gold plated dome contact offering superior contact reliability in time
- Excellent ergonomics: sharp tactile feel and audible click
- Reduced space usage on board "2 in 1"
- 40 N overload
- Tape and reel
- RoHS compliant and compatible

Typical Applications

- Application requiring illumination
- Server, storage
- Network infrastructure
- Telecom
- Medical



Tactile Switches

Specification

FUNCTION: momentary action
CONTACT ARRANGEMENT: Normally Open
TERMINALS: SMT with positioning pegs as an option

Mechanical

| Type | Operating force FA ¹ Newtons (grams) | Operating life (operations) | Travel (total travel) mm(mm) |
|--------------|---|-----------------------------|------------------------------|
| K5AT WH 43GP | 4.0 (400) | 100,000 | 0,5 (0.8) |

¹ Tolerances of operating force FA is ± 25%.

Packaging

180 or 900 pieces per reel
Reel dim. 180mm or 380mm

Electrical

POWER MIN/MAX: 0.02VA / 1.0VA
VOLTAGE MIN/MAX: 20mVdc – 32 Vdc
CURRENT MIN/MAX: 0.1mA – 100mA
CONTACT RESISTANCE: <100m Ω
INSULATION RESISTANCE: >1G Ω initial, >10M Ω after damp heat
BOUNCE TIME: <10ms

Environmental

OPERATING TEMPERATURE: -40°C to 125°C
STORAGE TEMPERATURE: -55°C to 125°C
RELATIVE HUMIDITY: 90 to 96% according to NF EN 60068-2-30
PROTECTION: dust protection and flux tight (IP 40)
OVERLOAD: 40N min

Process

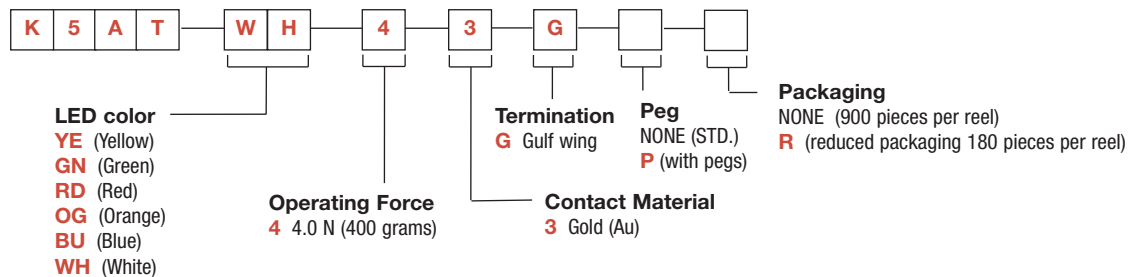
SOLDERING: Compatible with the lead free soldering profile.
No washing

Materials

LEAD FREE
CONTACTS: Au over Ni
SOLDERING: Au over Ni
HOUSING: Thermoplastic UL94 VO
LED: type P-LCC-2

How To Order

Our easy build-a-switch concept allows you to mix and match options to create the switch you need. To order, select desired option from each category and place it in the appropriate box.

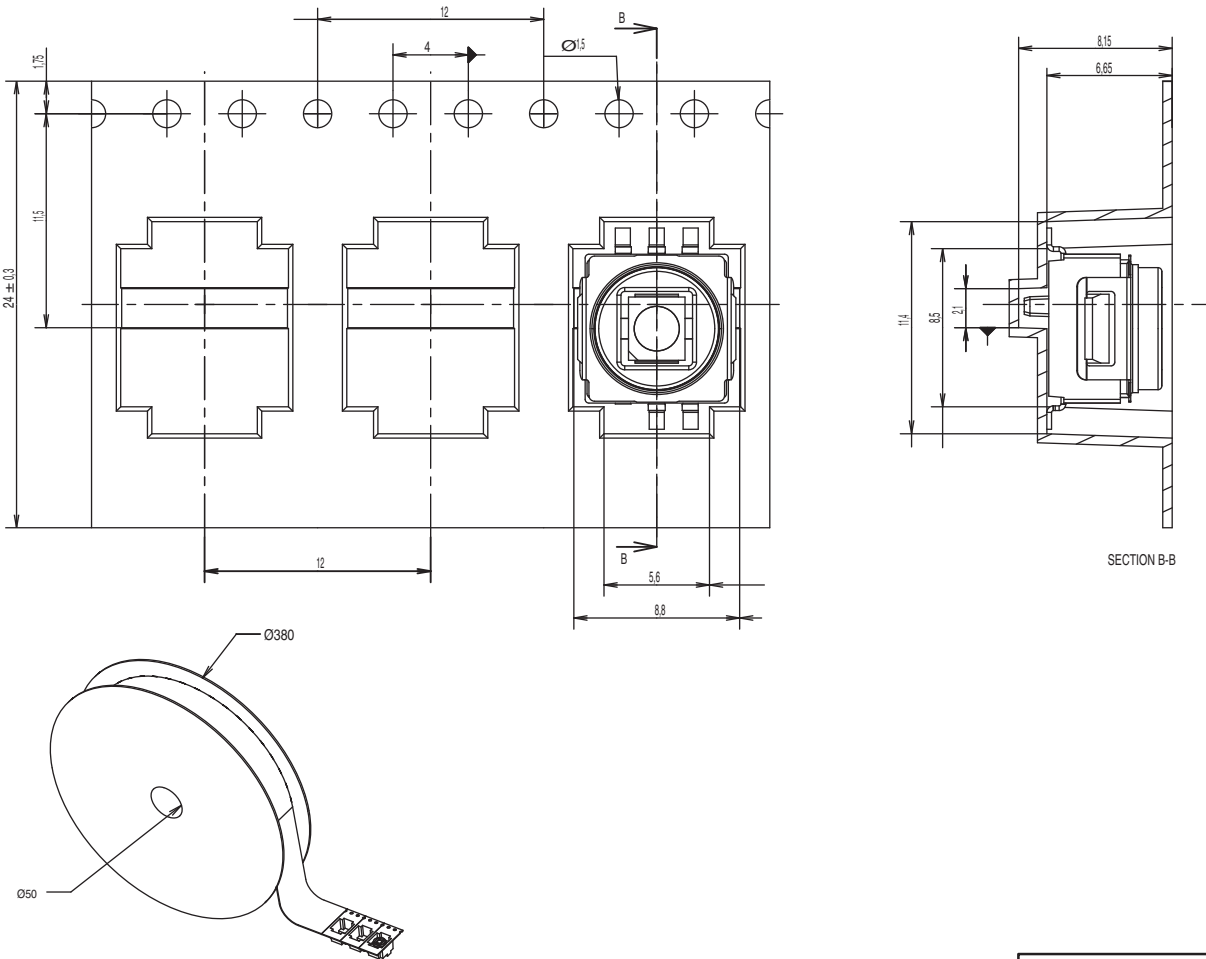
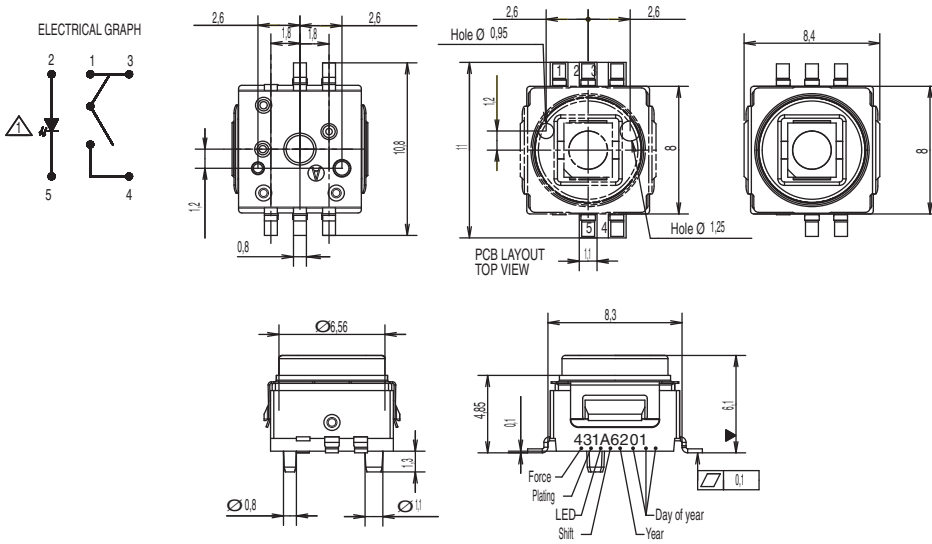


K5AT Lighted SMT Tact Switch

K5AT

Tactile Switches

B



Dimensions are shown: Inch (mm)
Specifications and dimensions subject to change



Find price and stock options from leading distributors for K5ATWH43GP on Findchips.com:

<https://findchips.com/search/K5ATWH43GP>

Find CAD models and details for this part:

<https://findchips.com/detail/k5atwh43gp/C%26K-Switches>