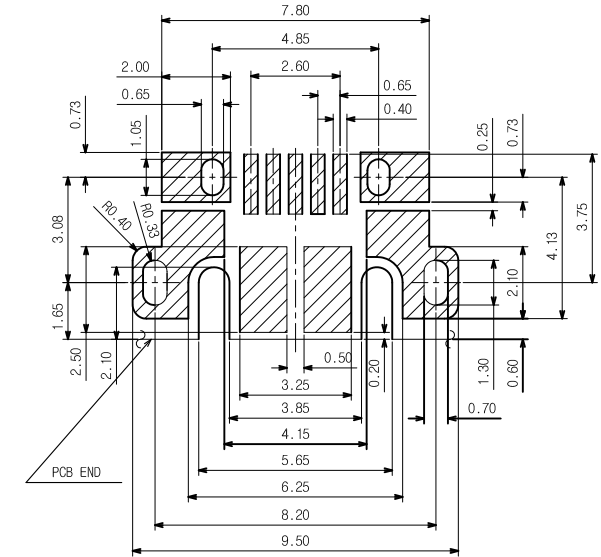
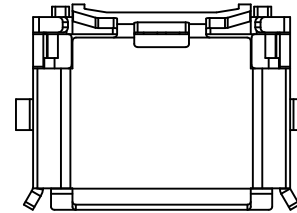
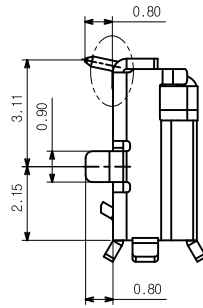
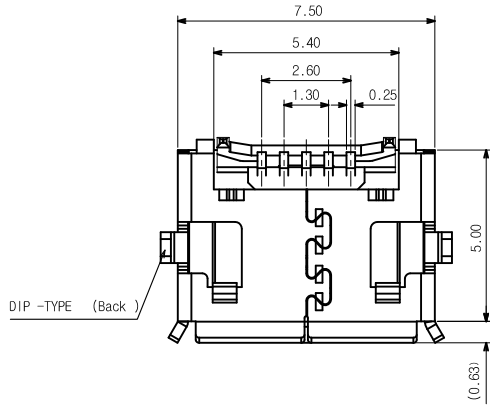


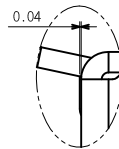
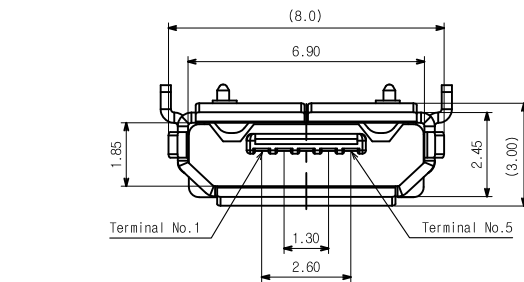
-NOTE-

1. This product is enable to mount both USB-IF Recommended PCB pattern bottom of soldering terminals
2. Coplanarity : The dimension between flat tool and when connector put on the flat tool like PCB Signal Contact ter' solder tail : Max 0.08 mm Metal tab : Max 0.1mm
3. Product numbering: 10103592 - 0001 LF



RECOMMENDED PCB Pattern

(Tolerance : ±0.05)



DETAIL "A"

No.	Part Name	Material	Finish	Remarks
1	Housing	Thermoplastic	Black	
2	Contact Ter'	Copper alloy	Au over Ni	
3	Plate	Sustainess steel		
4	Shield	Sustainess steel	Sn over Ni	

mat'l. code				tolerances unless otherwise specified			CUSTOMER COPY		 www.fciconnect.com	
ltr	ecn no	dr	date	linear	.X ± 0.38		projection	title		
A	T10-0002	J.H	1/7/10		.XX ± 0.25			MICRO-USB B-TYPE REVERSE		
					.XXX ± 0.10					
				angles	0° ± 2°					
				dr	JASON HSU	1/7/10	 MM	product family		code
				engr	JASON HSU	1/7/10		size		TWN
				chr	GARY HSIEH	1/7/10		dwg no		sheet
				appd	JOSEPH HSIA	1/7/10	scale	A4	10103592	1 of 1
sheet index		revision	A							
		sheet	1							